

FISHER & PAYKEL

FRONTLOAD WASHING MACHINE

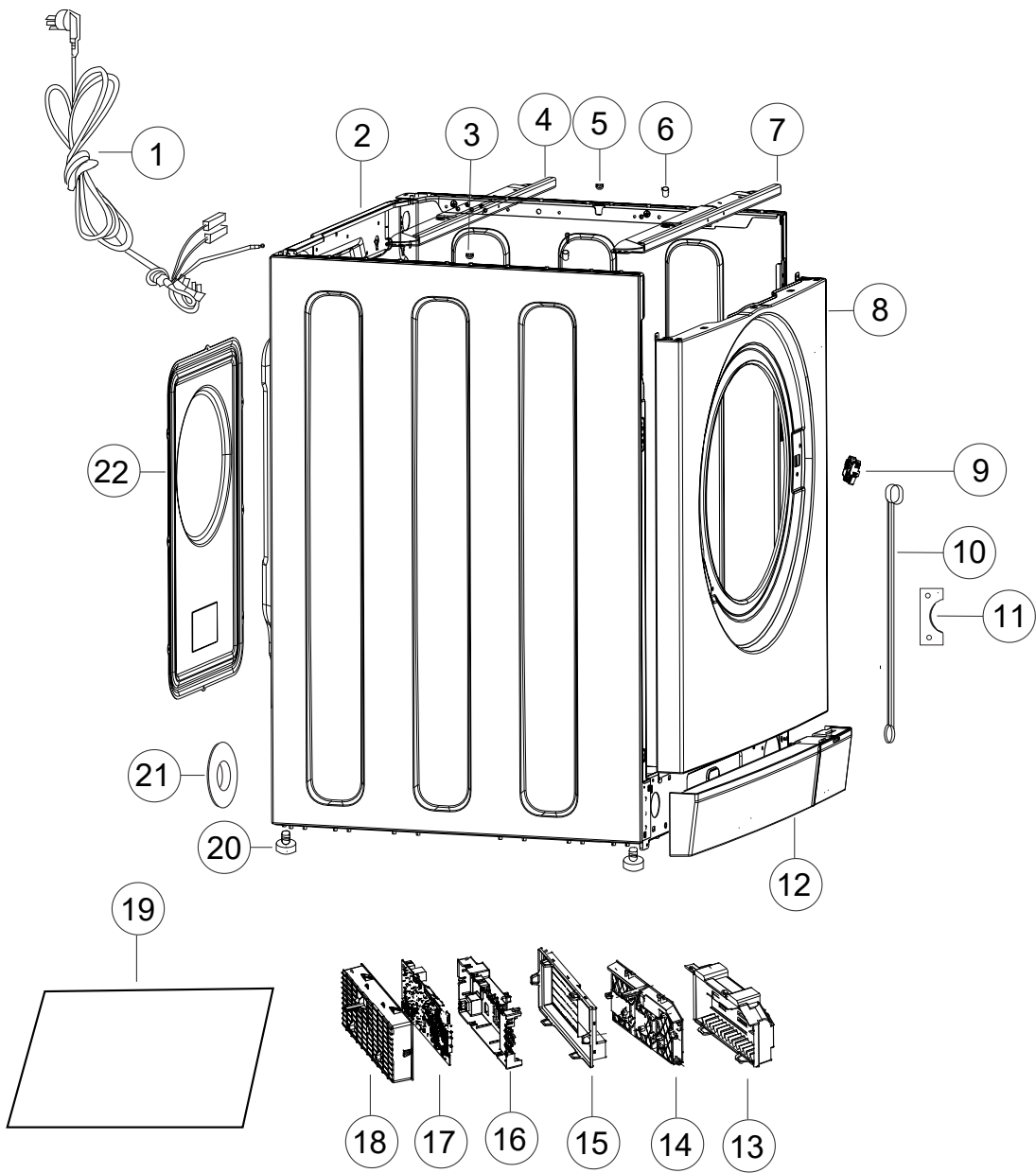
WH9060P3 FP AA

PRODUCT CODE: 93278-A

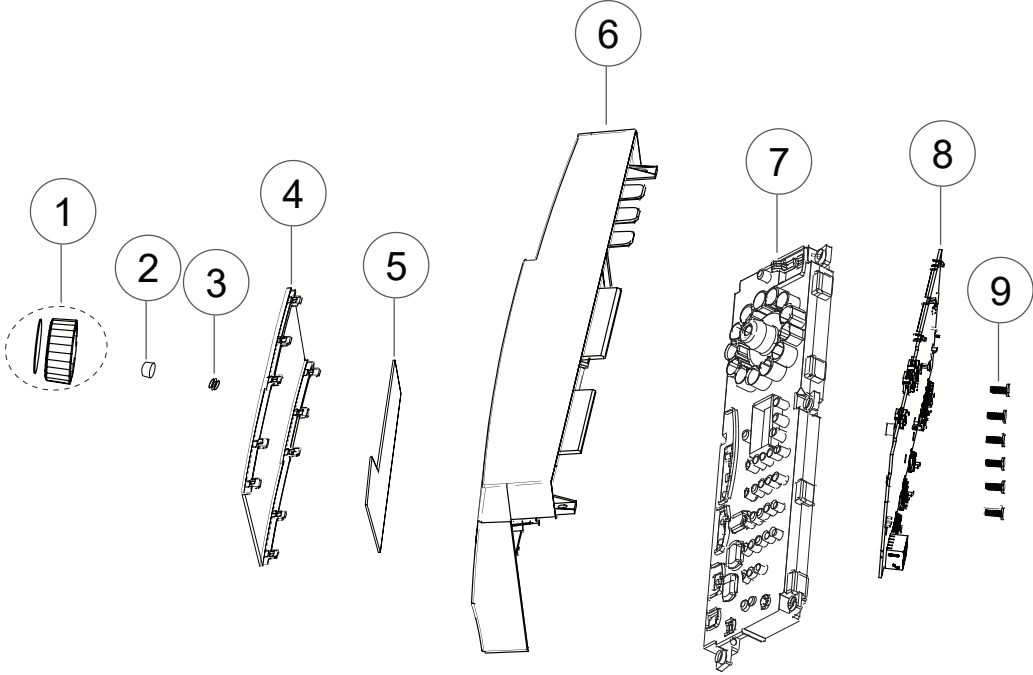
PARTS MANUAL

NZ AU

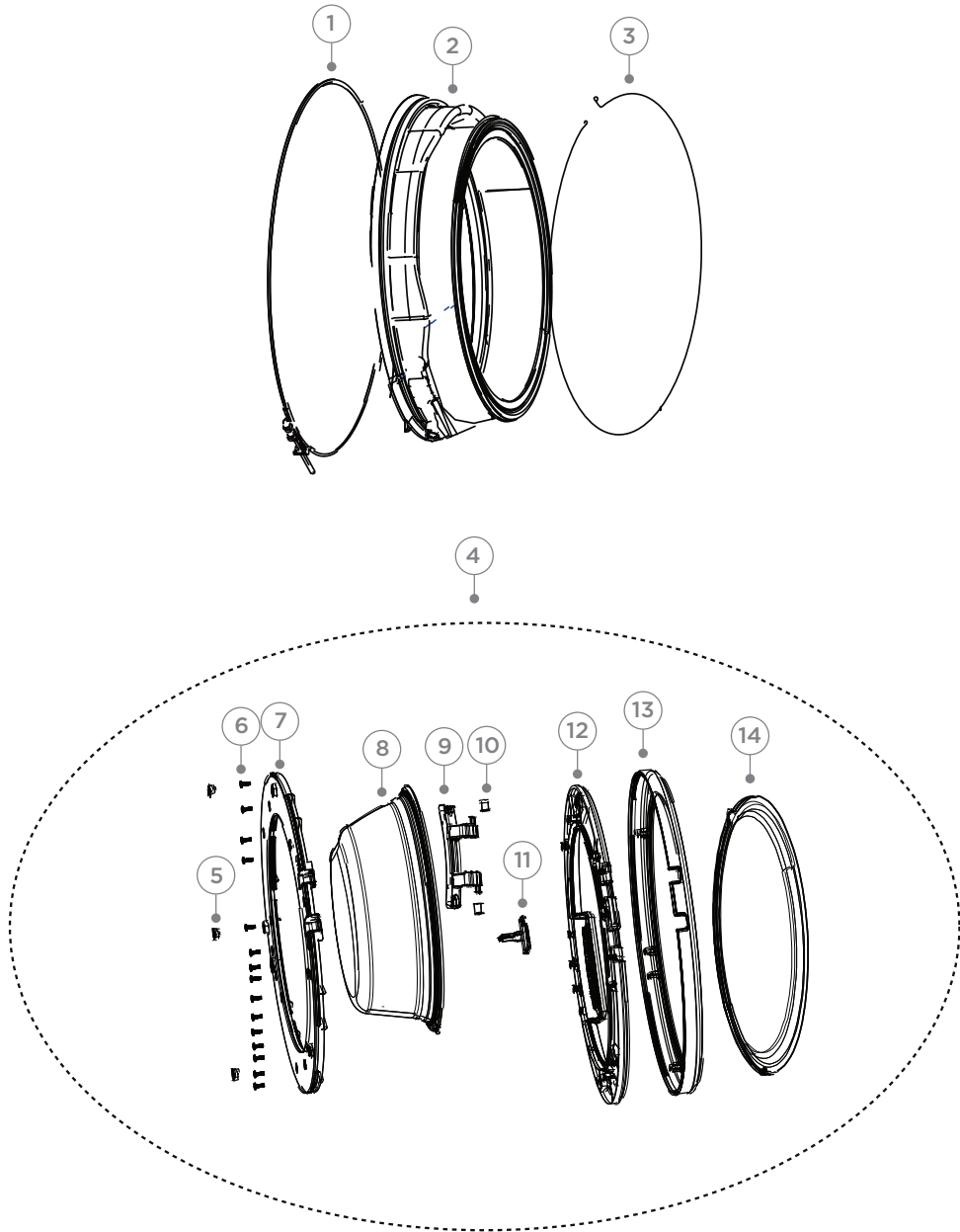
CABINET COMPONENTS



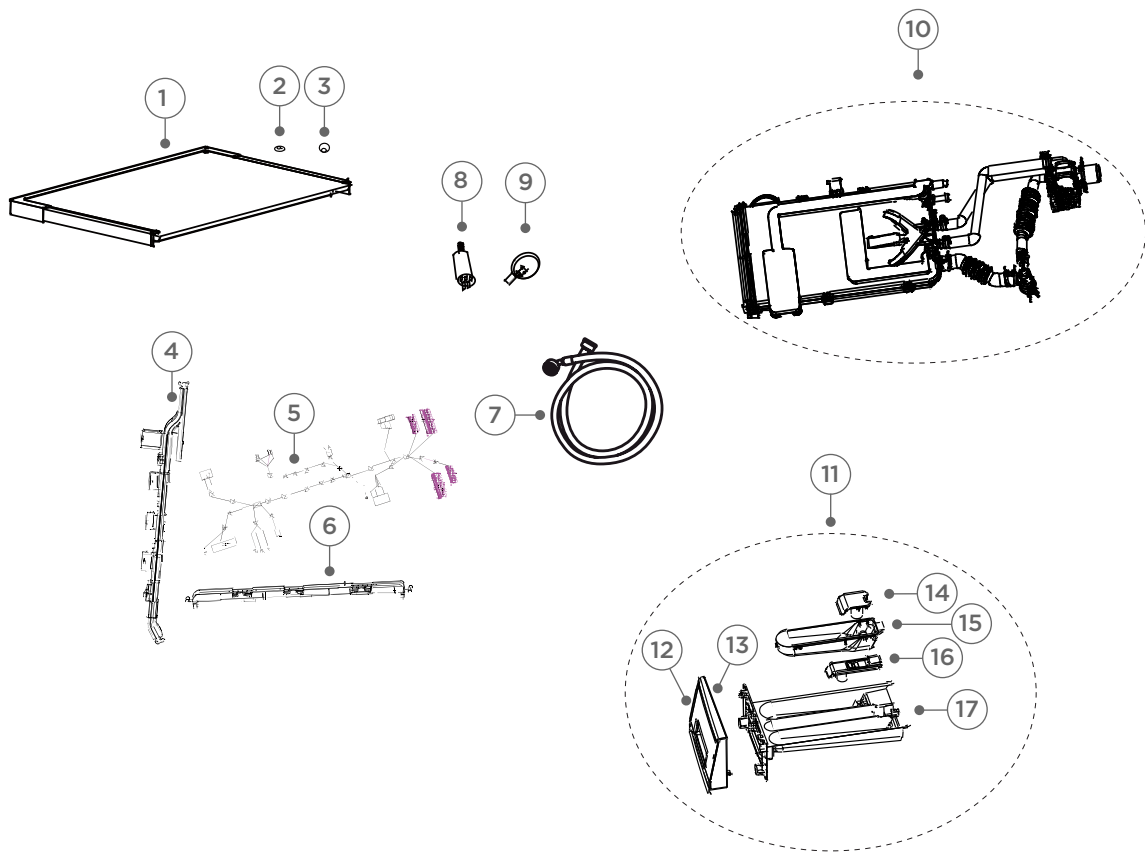
CONTROL PANEL COMPONENTS



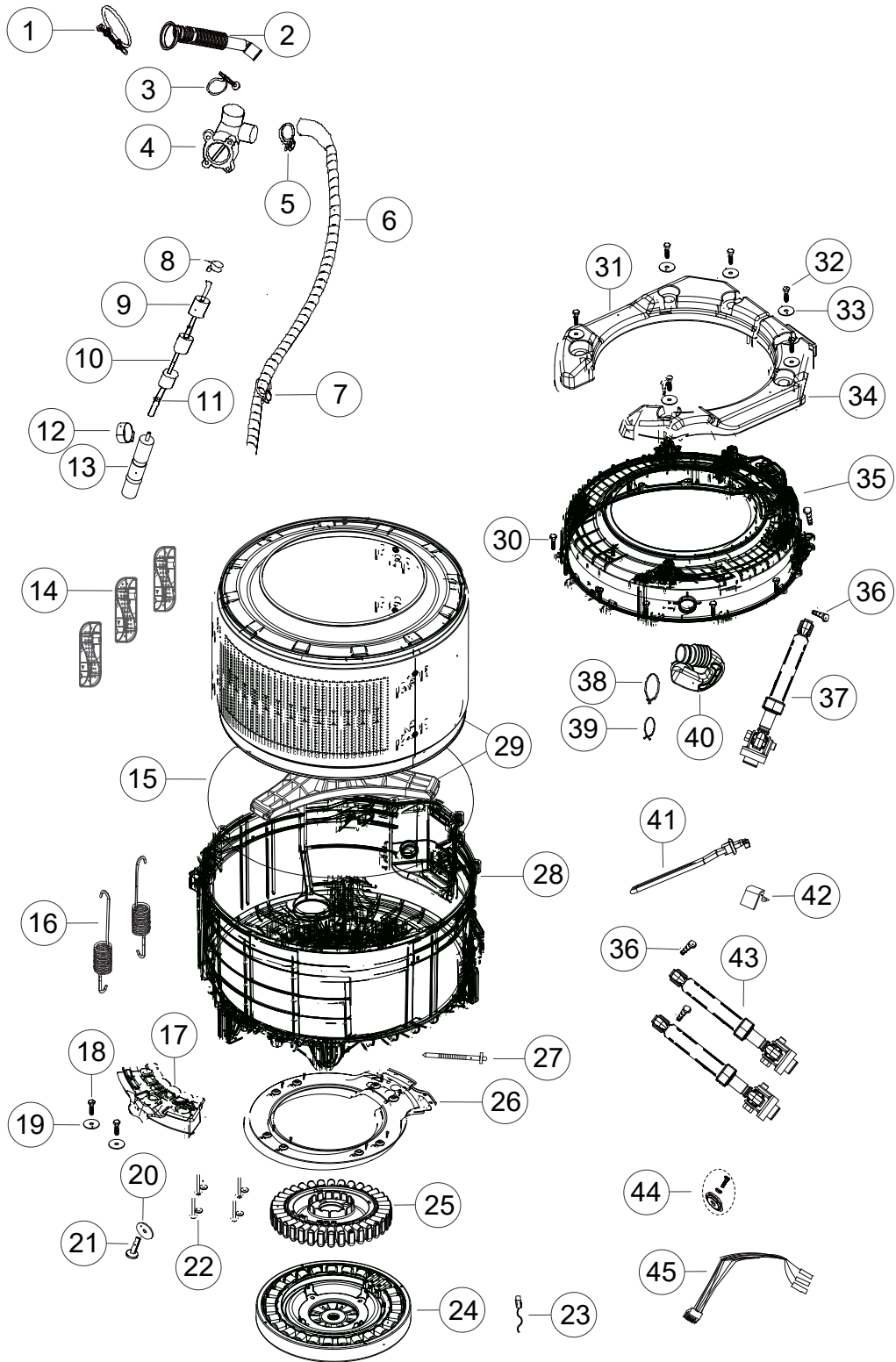
DOOR COMPONENTS



DISPENSER & WIRING COMPONENTS



DRUM COMPONENTS



DRUM COMPONENTS

